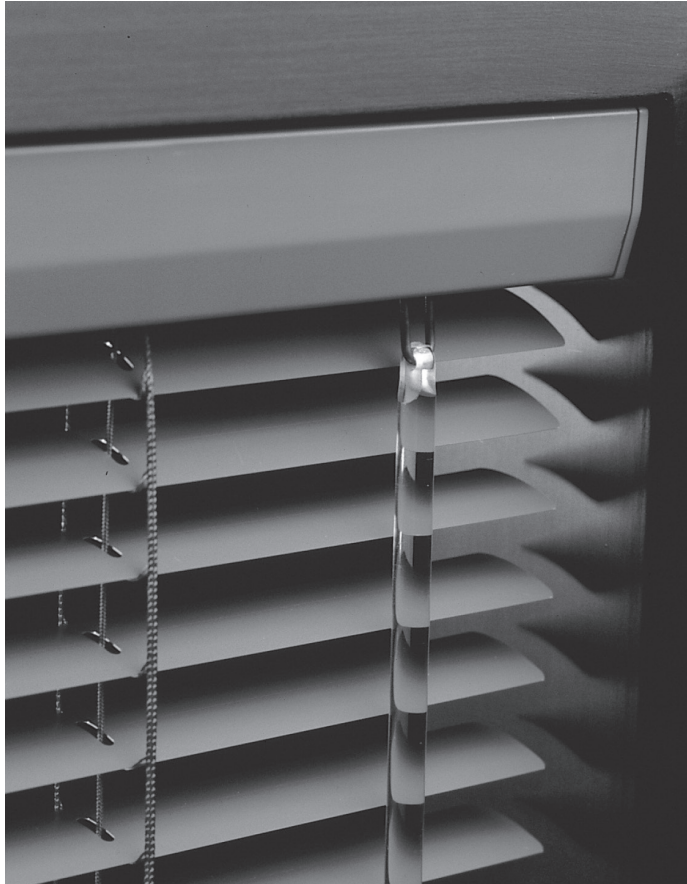


### Mark I® 1 Inch Blind Model # MARK1

Top quality positioned 1 inch horizontal aluminum window covering for non-pocket commercial applications.



#### Key Features

DustGuard®

Valance free design

Headrail: 1 ½ inch high X 1 5/8 wide with crowned underside profile

Enclosed bottomrail with bottom bumper

Nominal .008 inch slat thickness

21.5mm ladder spacing

Optional 19.5mm ladder spacing

Guardian Tilter disengaging clutch mechanism

Cordless option available

LightMaster™ option available

Cordless LightMaster™ option available

Limited lifetime warranty

#### Product Overview

The Mark I® 1 Inch Blind represents LEVOLOR's top quality horizontal blind for exposed headrail applications. Engineered for both durability and aesthetics, the Mark I® 1 Inch Blind combines a valance-free headrail design with a concealed mounting system to provide an overall clean, finished look.

The DustGuard® feature is a permanent paint process that disrupts the natural static attraction of dust particles to the slat. By removing the primary reason blinds attract dust, a reduction in accumulation can be achieved. Less dust means less maintenance and a cleaner, more professional appearance. The valance-free headrail is made of roll-formed corrosion-resistant painted steel and has a crowned underside profile to prevent light leakage. The added feature of the concealed mounting system provides a clean finished look and eliminates the extra cost of an extruded pocket mullion. The bottomrail is fully enclosed with a color compatible bottom bumper designed to prevent marring of the window sill and mullions.

The nominal .008 inch thick slats are made of 5000 series magnesium aluminum alloy which includes recycled aluminum materials and provides superior strength and resiliency, guaranteeing a quality look for the life of the blind. The Mark I® 1 Inch Blind has 21.5mm ladder spacing to ensure tight closure and superior light control. The exclusive Guardian Tilter disengaging clutch mechanism eliminates over rotation of the tilt wand and protects the tilt mechanism against breakage.

The Mark I® 1 Inch Blind is offered in a large selection of popular colors and options. The SheerView perforation option provides a unique see-through feature, reducing solar heat gain up to 42% when compared to a fully opened blind while optimizing the exterior view and maximizing light/glare control.

## Product Specifications

For more detailed specifications please reference Mark I® 1 Inch Blind Product Guide Specifications.

### Products

- A. Mark I® 1 Inch Blind manufactured by LEVOLOR (model #MARK1)
- B. Lifetime Limited Warranty
- C. Materials:

- Headrail** shall be of .025 inch thick painted, steel, 1 ½ inch high x 1 5/8 inch wide, with a crowned underside profile to prevent light leakage. Headrail shall be a valance-free design. All headrail detailing shall be polyethylene. All hardware shall be enclosed in the headrail.
- Guardian Tilter** shall be automatically disengaging worm and gear mechanism to eliminate overdrive.
- Tilt Wand** shall be solid, clear, transparent polymer with round cross section of 5/16 inch diameter. The tilt wand mechanism shall exit the bottom of the headrail via a U-shaped black or bright metal-plated steel link.
- Drums and Cradles** shall be of Tomized steel.

- Installation Brackets** shall be a one piece .032 inch zinc plated spring steel designed to minimize light gaps. A spring mechanism provides preload engagement with the headrail. Installation brackets come in two types: a bracket designed for ceiling mount applications that is completely concealed within the headrail and a wall mount bracket.

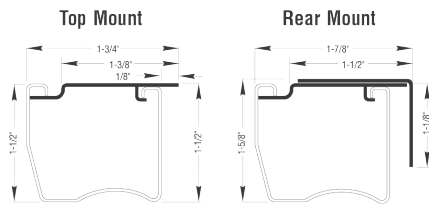
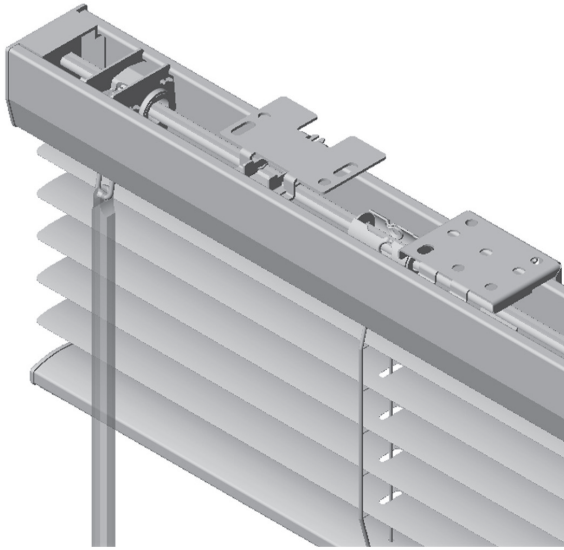
- Ladders** (slat supports): Distance between slats shall not exceed 21.5mm.

- Slats** shall be of 5000 series magnesium aluminum alloy only. Slats shall be nominally 1 inch wide and the thickness of the slats shall be nominally .008 inch. Coating includes DustGuard®, a patented paint process that disrupts the natural static attraction of airborne dust particles. Slats shall be (select one):
  - a. Unperforated
  - b. SheerView – Slats shall be perforated with a staggered pattern of .020 inch diameter holes, nominally 177 per inch of slat length. Slats shall have an openness factor of 6%.

- Bottomrail** shall be fully enclosed with color compatible flexible vinyl bottom bumper and polyethylene end caps.

- Options** shall include:

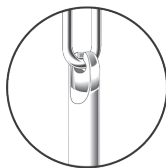
- |  |  |
|--|--|
| <ul style="list-style-type: none"> <li>a. Telescopic or Non-Telescopic Tilter Pole</li> <li>b. Cordless (model # MARK1C)</li> <li>c. Cordless with LightMaster™ (model # MARK1CP)</li> <li>d. Cutouts</li> <li>e. End Mount Bracket</li> <li>f. Extension Brackets</li> <li>g. Hold-Down Brackets</li> </ul> | <ul style="list-style-type: none"> <li>h. LightMaster™ (model # MARK1P)</li> <li>i. Multi-Colored Striping</li> <li>j. Multiple Blinds on One Headrail</li> <li>k. Ring Pull</li> <li>l. Extension Brackets</li> <li>m. Top Lok Cord Lock</li> <li>n. 19.5mm Ladder Spacing</li> </ul> |
|--|--|



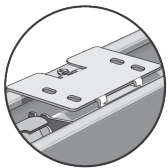
SheerView



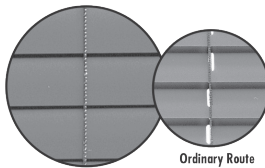
Headrail/Top Slot Detail



Wand Connection Detail



Mounting Bracket



LightMaster Route Hole

Ordinary Route Hole

**LEVOLOR**

1400 Lavon Dr., McKinney, TX 75069 USA  
 Phone: 1.800.826.8021 · LEVOLOR.com/commercial  
 ©2018 LEVOLOR®, All rights reserved. US and non-US patents and patents pending.  
 Product specifications are subject to change without notice. Printed in USA.