

### Riviera Contract 1 Inch Blind Model #RIV1C

Competitively positioned 1 inch horizontal aluminum window covering for commercial applications.



#### Key Features

DustGuard®

Headrail: 1 inch high x 1 9/16 inch wide

Nominal .006 inch slat thickness

21.5mm ladder spacing

Guardian Tilter disengaging clutch mechanism

Limited lifetime warranty

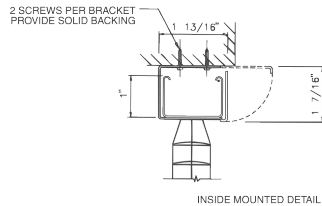
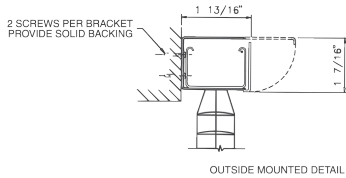
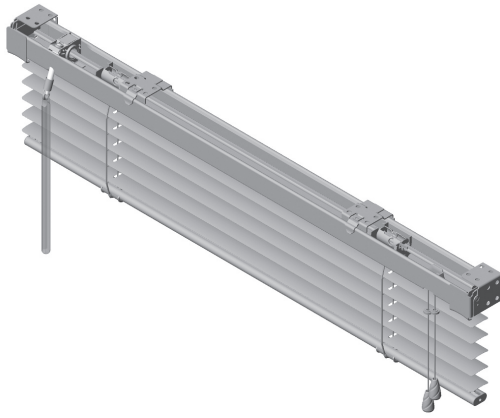
#### Product Overview

The Riviera Contract 1 Inch Blind represents Levolor's quality horizontal blind backed by the lifetime warranty. Committed to both durability and aesthetics, the Riviera Contract 1 Inch Blind combines the highest quality components with visibly attractive features to provide an overall superior product.

The durable and sleek headrail is made of roll-formed corrosion-resistant painted steel. The strength of the overall headrail profile provides smooth operation, even under heavy loads associated with large window applications. The steel hardware is machine-clinched, ensuring accurate alignment of moving parts and long, maintenance-free operation.

The nominal .006 inch thick slats are made of 5000 series magnesium aluminum alloy and provides overall strength and resiliency, guaranteeing a quality look for the life of the blind. The Riviera Contract 1 Inch Blind's 21.5 mm ladder spacing ensures tight closure and optimum light control. The exclusive Guardian Tilter disengaging clutch mechanism eliminates over rotation of the tilt wand and protects the tilt mechanism against breakage.

The Riviera Contract 1 Inch Blind is offered in a large selection of popular colors. Options include the Top Lok Cord Lock, which holds the blind completely up or down for a consistent look across all windows.



Open End Bracket



Hold-down Bracket

## Product Specifications

For more detailed specifications please reference Riviera Contract 1 Inch Blind product Guide Specifications.

### Products

A. Riviera Contract 1 Inch Blind manufactured by LEVOLOR Commercial.

B. Lifetime Limited Warranty

C. Materials:

- Headrail** shall be of .025 inch thick painted steel, "U" shaped, 1 inch high x 1 9/16 inches wide. All hardware shall be enclosed in the steel headrail.
- Guardian Tilter** shall be not less than .042 inch thick Tomized steel housing with a self-lubricating nylon, automatically disengaging worm and gear mechanism to eliminate overdrive.
- Installation Brackets** shall be of at least .048 inches thick painted steel with a rivet-hinged safety locking front cover to permit removal of headrail without lateral movement.
- Ladders** (slat supports): Distance between slats shall not exceed 21.5mm.
- Slats** shall be of 5000 series magnesium aluminum alloy only. Slats shall be nominally 1 inch wide and the thickness of the slats shall be nominally .006 inches.

Coating includes DustGuard®, a patented paint process which disrupts the natural static attraction of airborne dust particles.

- Bottomrail** shall be of .023 inch thick painted steel.
- Options** shall include:
  - a. Cutouts
  - b. Extension Brackets
  - c. Hold Down Brackets
  - d. Multi-Colored Striping
  - e. Multiple Blinds on One Headrail
  - f. Pivot Plates
  - g. Projection Brackets
  - h. Ring Pull
  - i. Telescopic or Non-Telescopic Pole
  - j. Top Lok Cord Lock
  - k. Universal Ring Tilter
  - l. 2 Slat Framed Vogue Valance

## LEVOLOR

1400 Lavon Dr., McKinney, TX 75069 USA

Phone: 1.800.826.8021 • LEVOLOR.com/commercial

©2018 LEVOLOR®, All rights reserved. US and non-US patents and patents pending.

Product specifications are subject to change without notice. Printed in USA.